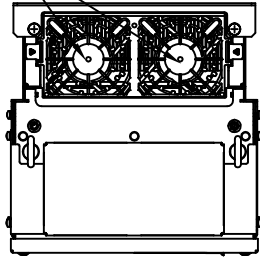
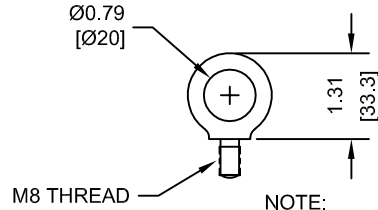


(2) EXTERNAL COOLING FANS



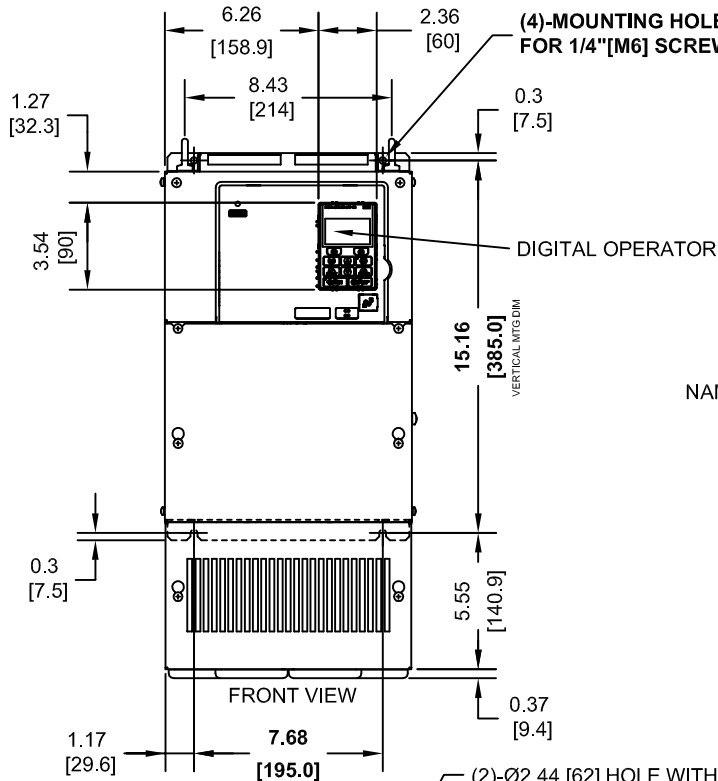
LIFTING AND EYEBOLT DETAILS



M8 THREAD

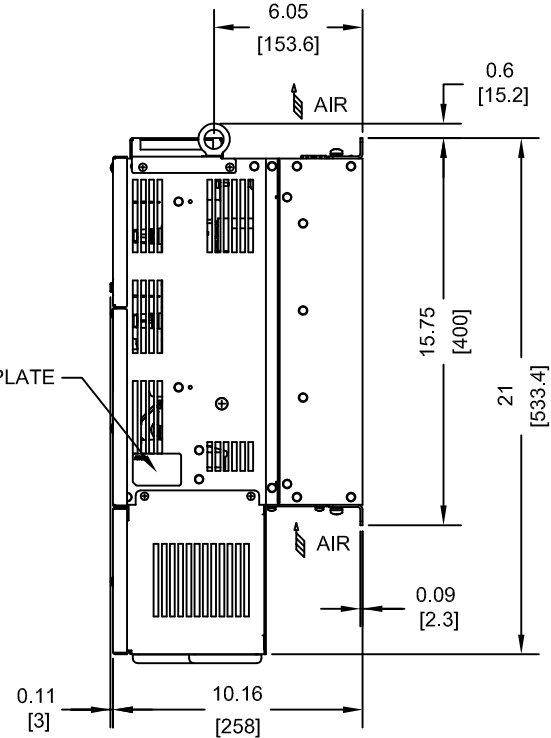
NOTE:
SPREADER BAR REQUIRED TO AVOID DAMAGE DURING LIFTING

(4)-MOUNTING HOLES FOR 1/4" [M6] SCREWS

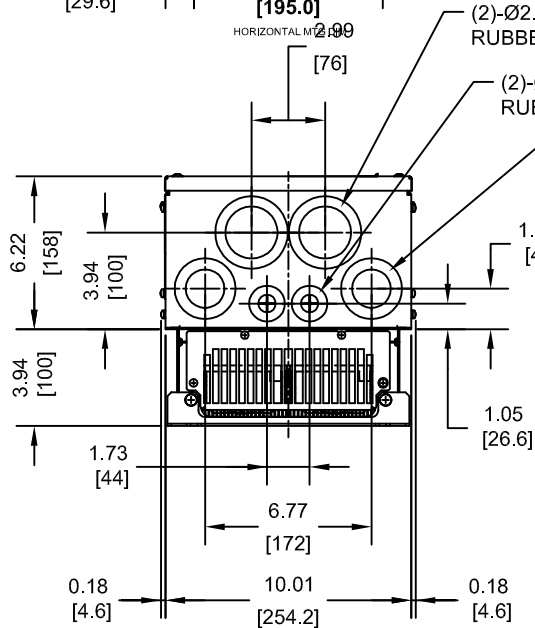


DIGITAL OPERATOR

NAMEPLATE



- (2)-Ø2.44 [62] HOLE WITH RUBBER BUSHING
- (2)-Ø1.10 [28] HOLE WITH RUBBER BUSHING
- (2)-Ø1.97 [50] HOLE WITH RUBBER BUSHING



MODEL # CIMR-AU	VOLTAGE THREE-PHASE (VAC)	OUTPUT CURRENT (A)		WEIGHT LBS (Kg)	HEAT LOSS (W)					
					ND (Fc=2kHz)			HD (Fc=8kHz)		
		ND	HD		INT	EXT	TOT	INT	EXT	TOT
2A0110FX	200/240	110.0	85.0	50.6 (23)	286	719	1005	211	510	721

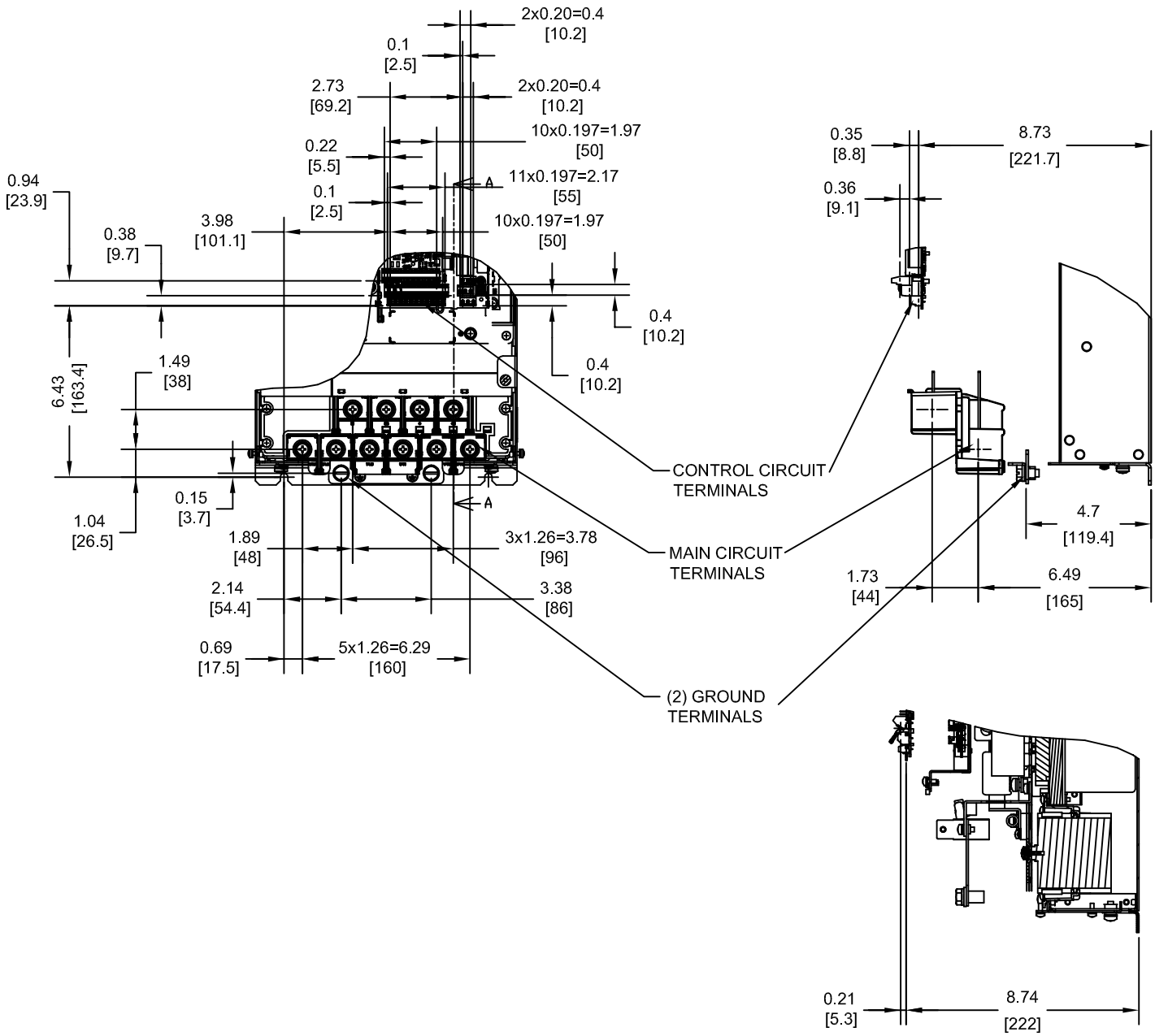
NOTE:
XX DENOTES AA-ZZ

INT=INTERNAL COMPONENTS
EXT=EXTERNAL HEATSINK
TOT=TOTAL

FOR ADDITIONAL DETAILS AND SPECIFICATIONS, CONSULT MANUAL

TOLERANCES / REFERENCES:		<p>THIS DOCUMENT AND INFORMATION CONTAINED IN IT ARE CONFIDENTIAL, AND CANNOT BE COPIED OR DISCLOSED IN WHOLE OR IN PART WITHOUT THE EXPRESS WRITTEN CONSENT OF YASKAWA AMERICA, INC.</p>	DRAWN: J. MATTAS CHECKED: J. PIOTROWSKI TECH: J. CAIRO APPROVED: T. SASADA ORIGINAL DESIGN: -	DATE: 5-3-10 DATE: 12-10-10 DATE: 12-14-10 DATE: 12-17-10 DATE: -	TITLE: A1000 DIMENSION DRAWING FRAME SIZE 7A NEMA TYPE 1 ENCLOSURE 2A0110 SIZE: A REVISION: R00 PAGE: 1 of 3 DRAWING #: DD.A1K.FR7A.N1
UNITS: IN [mm]	SCALE: 1:8				

TERMINAL AND WIRING DETAILS (SCALE 1:6)



TERMINAL AND WIRE SPECIFICATIONS FOR MAIN CIRCUIT AND GROUND

SECTION A-A

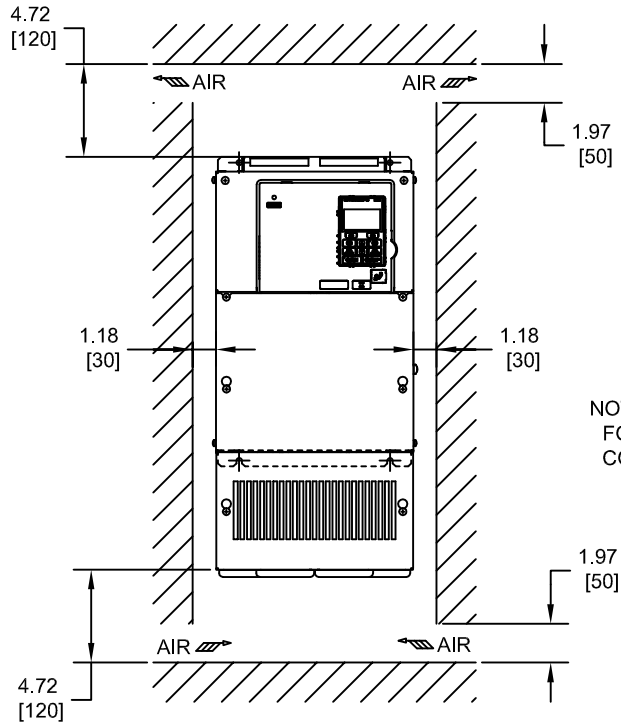
MODEL # CIMR-AU	TERMINAL SYMBOL	TERMINAL SCREW	CLAMPING TORQUE lb.in.(N.m.)	WIRE RANGE AWG(mm ²)
2A0110	R/L1, S/L2, T/L3	M8	79.7 TO 97.4 (9 TO 11)	10-1/0 (5.3-53.5)
	U/T1, V/T2, W/T3			
	⊖, ⊕1			
	B1, B2			
	⊕	M8	79.7 TO 97.4 (9 TO 11)	SEE NOTE

NOTE: REFER TO APPLICABLE CODES FOR PROPER WIRE TYPE AND SIZE

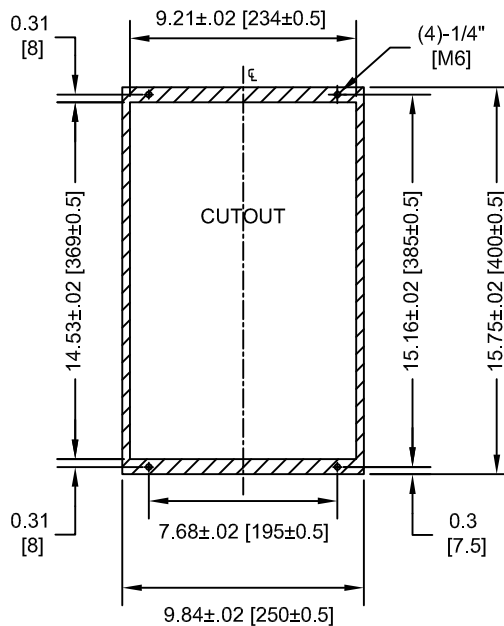
FOR ADDITIONAL DETAILS AND SPECIFICATIONS, CONSULT MANUAL

TOLERANCES / REFERENCES:		<p>THIS DOCUMENT AND INFORMATION CONTAINED IN IT ARE CONFIDENTIAL, AND CANNOT BE COPIED OR DISCLOSED IN WHOLE OR IN PART WITHOUT THE EXPRESS WRITTEN CONSENT OF YASKAWA AMERICA, INC.</p>	DRAWN: J. MATTAS DATE: 5-3-10	TITLE: A1000 DIMENSION DRAWING FRAME SIZE 7A NEMA TYPE 1 ENCLOSURE 2A0110
UNITS: IN [mm]	SCALE: BY VIEW		CHECKED: J. PIOTROWSKI DATE: 12-10-10	SIZE: A REVISION: R00 PAGE: 2 of 3
			TECH: J. CAIRO DATE: 12-14-10	DRAWING #: DD.A1K.FR7A.N1
			APPROVED: T. SASADA DATE: 12-17-10	

MINIMUM INSTALLATION CLEARANCES (SCALE 1:10)



PANEL CUTOUT FOR EXTERNAL HEATSINK MOUNTING CONFIGURATION (SCALE 1:8)



NOTE:
EXPOSED HEATSINK DEPTH
D=3.94" MINUS PANEL THICKNESS

FOR ADDITIONAL DETAILS AND SPECIFICATIONS, CONSULT MANUAL

TOLERANCES / REFERENCES:			DRAWN: J. MATTAS	DATE: 5-3-10	TITLE: A1000 DIMENSION DRAWING	
			CHECKED: J. PIOTROWSKI	DATE: 12-10-10	FRAME SIZE 7A NEMA TYPE 1 ENCLOSURE	
		THIS DOCUMENT AND INFORMATION CONTAINED IN IT ARE CONFIDENTIAL, AND CANNOT BE COPIED OR DISCLOSED IN WHOLE OR IN PART WITHOUT THE EXPRESS WRITTEN CONSENT OF YASKAWA AMERICA, INC.		TECH: J. CAIRO	DATE: 12-14-10	SIZE: A
UNITS: IN [mm]	SCALE: BY VIEW	APPROVED: T. SASADA		DATE: 12-17-10	REVISION: R00	PAGE: 3 of 3
		ORIGINAL DESIGN: -		DATE: -	DRAWING #: DD.A1K.FR7A.N1	