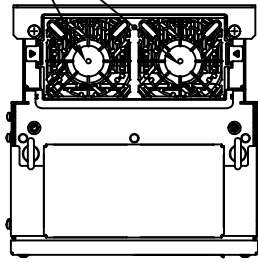
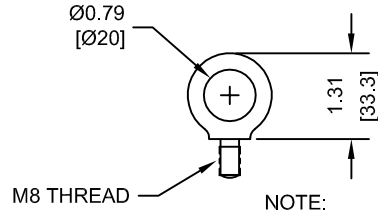


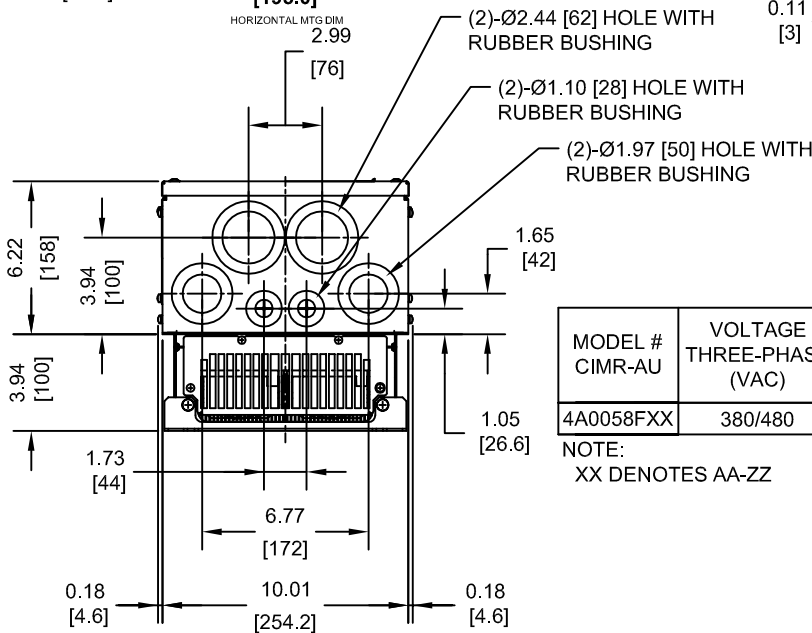
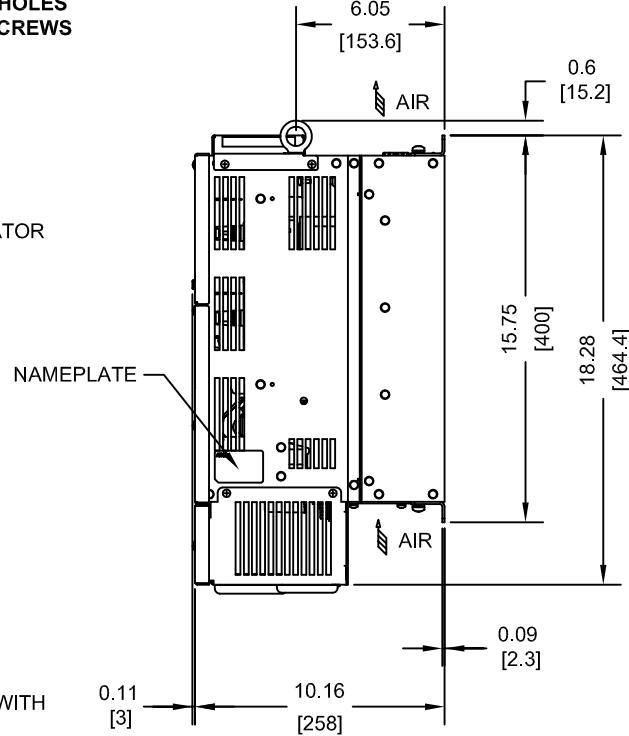
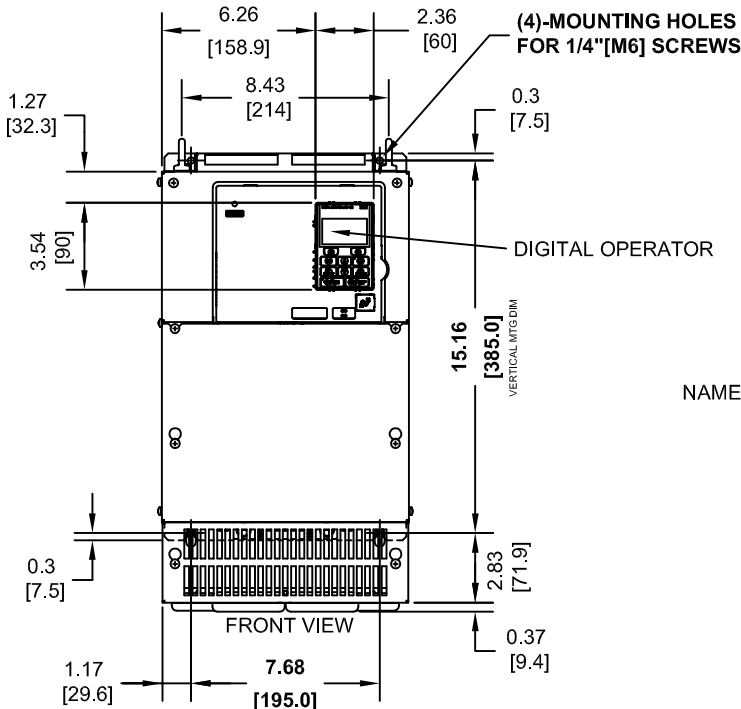
(2) EXTERNAL COOLING FANS



LIFTING AND EYEBOLT DETAILS



NOTE:
SPREADER BAR REQUIRED TO AVOID DAMAGE DURING LIFTING



MODEL # CIMR-AU	VOLTAGE THREE-PHASE (VAC)	OUTPUT CURRENT (A)		WEIGHT LBS (Kg)	HEAT LOSS (W)					
		ND	HD		ND (Fc=2kHz)			HD (Fc=8kHz)		
					INT	EXT	TOT	INT	EXT	TOT
4A0058FXX	380/480	58.0	45.0	50.6 (23)	215	471	686	170	349	519

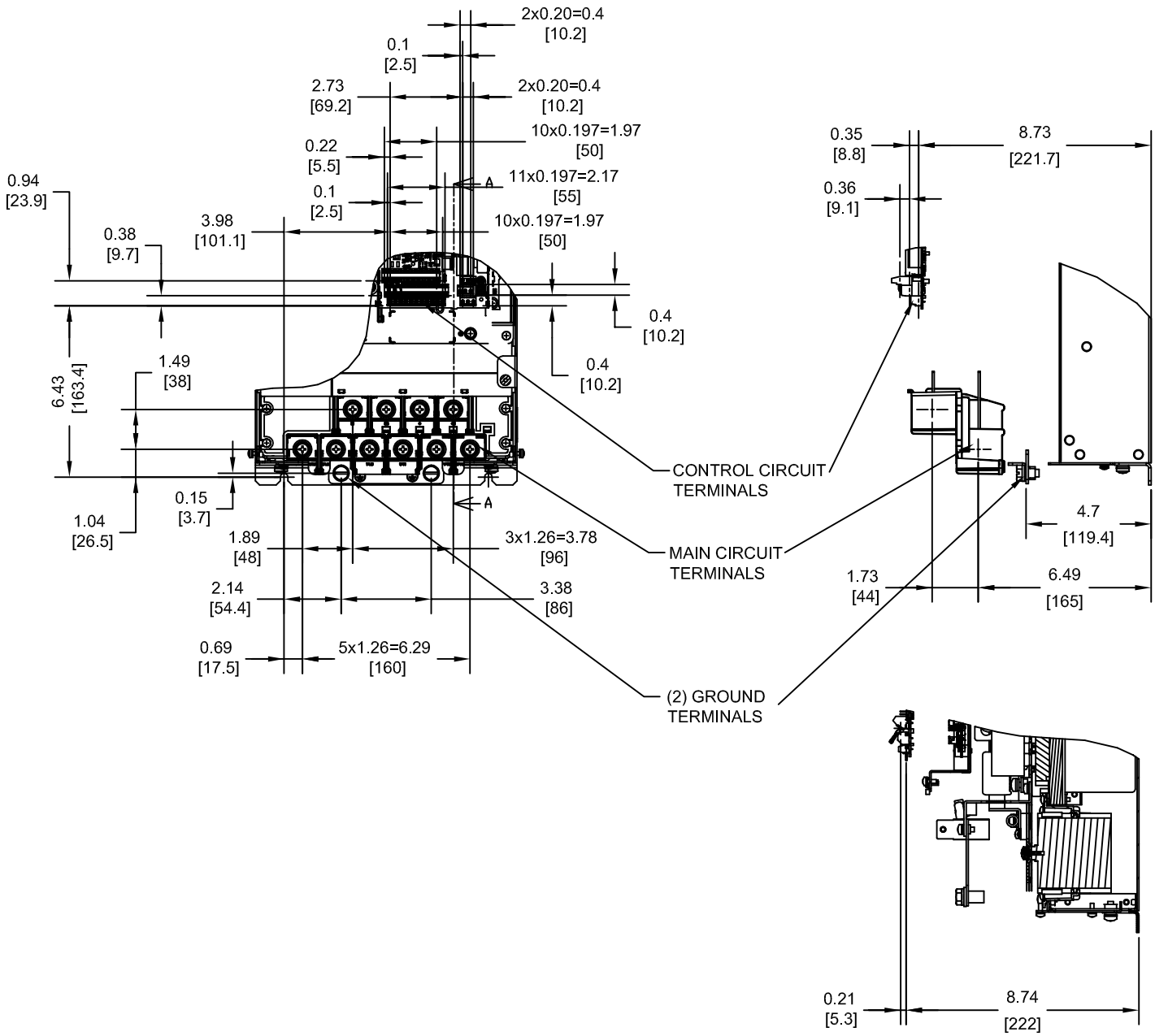
NOTE:
XX DENOTES AA-ZZ

INT=INTERNAL COMPONENTS
EXT=EXTERNAL HEATSINK
TOT=TOTAL

FOR ADDITIONAL DETAILS AND SPECIFICATIONS, CONSULT MANUAL

TOLERANCES / REFERENCES:			DRAWN: J. MATTAS DATE: 5-3-10	TITLE: A1000 DIMENSION DRAWING FRAME SIZE 7B NEMA TYPE 1 ENCLOSURE 4A0058
UNITS: IN [mm]	SCALE: 1:8		CHECKED: J. PIOTROWSKI DATE: 12-10-10	DATE: 12-10-10
THIS DOCUMENT AND INFORMATION CONTAINED IN IT ARE CONFIDENTIAL, AND CANNOT BE COPIED OR DISCLOSED IN WHOLE OR IN PART WITHOUT THE EXPRESS WRITTEN CONSENT OF YASKAWA AMERICA, INC.		TECH: J. CAIRO DATE: 12-14-10	DATE: 12-17-10	SIZE: A
		APPROVED: T. SASADA DATE: 12-17-10	DATE: -	REVISION: R00
		ORIGINAL DESIGN: -	DATE: -	PAGE: 1 of 3
		DRAWING #: DD.A1K.FR7B.N1		

TERMINAL AND WIRING DETAILS (SCALE 1:6)



TERMINAL AND WIRE SPECIFICATIONS FOR
MAIN CIRCUIT AND GROUND

SECTION A-A

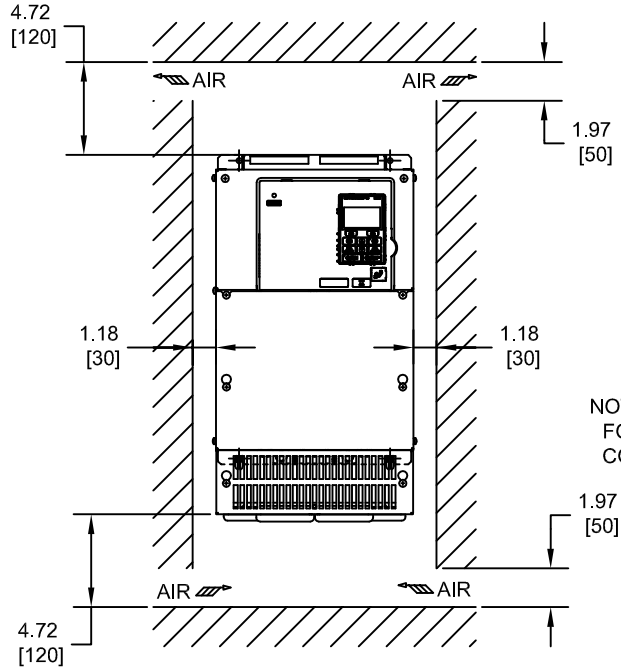
MODEL # CIMR-AU	TERMINAL SYMBOL	TERMINAL SCREW	CLAMPING TORQUE lb.in.(N.m.)	WIRE RANGE AWG(mm ²)
4A0058	R/L1, S/L2, T/L3	M8	79.7 TO 97.4 (9 TO 11)	10-1/0 (5.3-53.5)
	U/T1, V/T2, W/T3			
	⊖, ⊕1			
	B1, B2	M8	79.7 TO 97.4 (9 TO 11)	SEE NOTE
⊕				

NOTE: REFER TO APPLICABLE CODES FOR PROPER WIRE TYPE AND SIZE

FOR ADDITIONAL DETAILS AND SPECIFICATIONS, CONSULT MANUAL

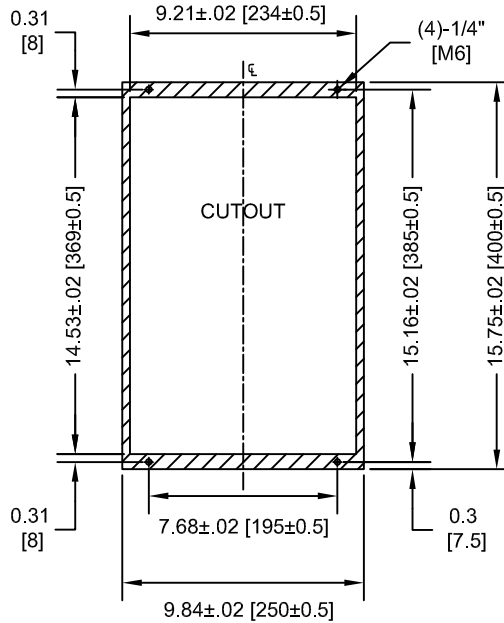
TOLERANCES / REFERENCES:			DRAWN: J. MATTAS DATE: 5-3-10	TITLE: A1000 DIMENSION DRAWING FRAME SIZE 7B NEMA TYPE 1 ENCLOSURE 4A0058
UNITS: IN [mm]			CHECKED: J. PIOTROWSKI DATE: 12-10-10	SIZE: A REVISION: R00 PAGE: 2 of 3
SCALE: BY VIEW		THIS DOCUMENT AND INFORMATION CONTAINED IN IT ARE CONFIDENTIAL, AND CANNOT BE COPIED OR DISCLOSED IN WHOLE OR IN PART WITHOUT THE EXPRESS WRITTEN CONSENT OF YASKAWA AMERICA, INC.	TECH: J. CAIRO DATE: 12-14-10	DRAWING #: DD.A1K.FR7B.N1
		APPROVED: T. SASADA DATE: 12-17-10	ORIGINAL DESIGN: - DATE: -	

MINIMUM INSTALLATION CLEARANCES (SCALE 1:10)



NOTE:
FOR SIDE-BY-SIDE MOUNTING
CONSULT MANUAL

PANEL CUTOUT FOR EXTERNAL HEATSINK
MOUNTING CONFIGURATION (SCALE 1:8)



NOTE:
EXPOSED HEATSINK DEPTH
D=3.94" MINUS PANEL THICKNESS

FOR ADDITIONAL DETAILS AND SPECIFICATIONS, CONSULT MANUAL

TOLERANCES / REFERENCES:			DRAWN: J. MATTAS	DATE: 5-3-10	TITLE: A1000 DIMENSION DRAWING	
			CHECKED: J. PIOTROWSKI	DATE: 12-10-10	FRAME SIZE 7B NEMA TYPE 1 ENCLOSURE	
		TECH: J. CAIRO		DATE: 12-14-10	4A0058	
		APPROVED: T. SASADA		DATE: 12-17-10	SIZE: A	REVISION: R00
		ORIGINAL DESIGN: -		DATE: -	PAGE: 3 of 3	
UNITS: IN [mm]	SCALE: BY VIEW	WITHOUT THE EXPRESS WRITTEN CONSENT OF YASKAWA AMERICA, INC.		DRAWING #: DD.A1K.FR7B.N1		