

(4) Mounting Holes for M6 [1/4"] Screws. See Detail A for top mounting hole dimensions.

Keypad

Nameplate

Cooling fan location

Air

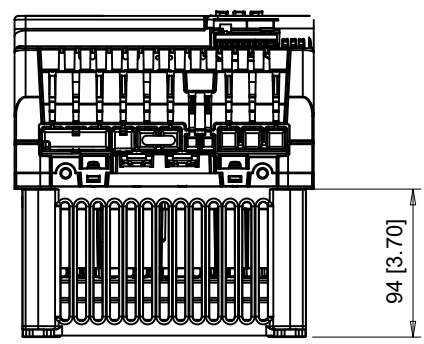
Air

8 [0.31]

Ø7 [Ø0.28]

Ø13 [Ø0.51]

Detail A
Top mounting hole dimensions
Scale 1:1



2.7 [0.11]

204 [8.03]

C/C:	INPUT VOLTAGE (VAC)	WEIGHT Kg (lb)	COOLING FANS
GA50□	380 TO 480	6.5 (14.3)	2
4044□□□	3-PHASE	6.5 (14.3)	2
4060□□□			

□ denotes A-Z

YASKAWA

UNITS MM [IN]
SCALE 1:5

DRWN.	J. MATTAS	6-6-19
CHKD.	J. PIOTROWSKI	7-30-19
TECH.	L. UDDIN	8-7-19
APRV.	J. CAIRO	9-11-19

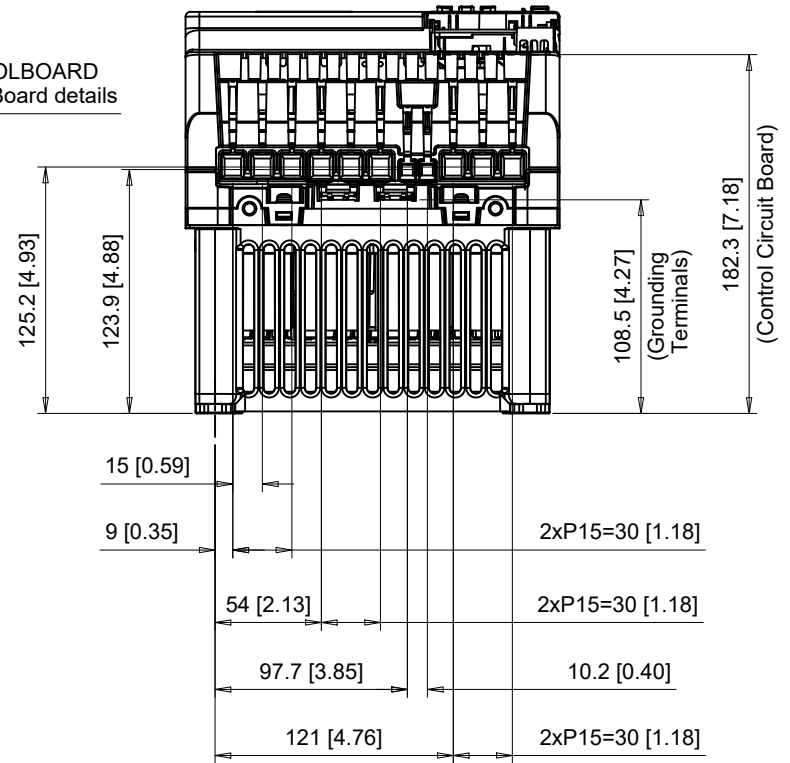
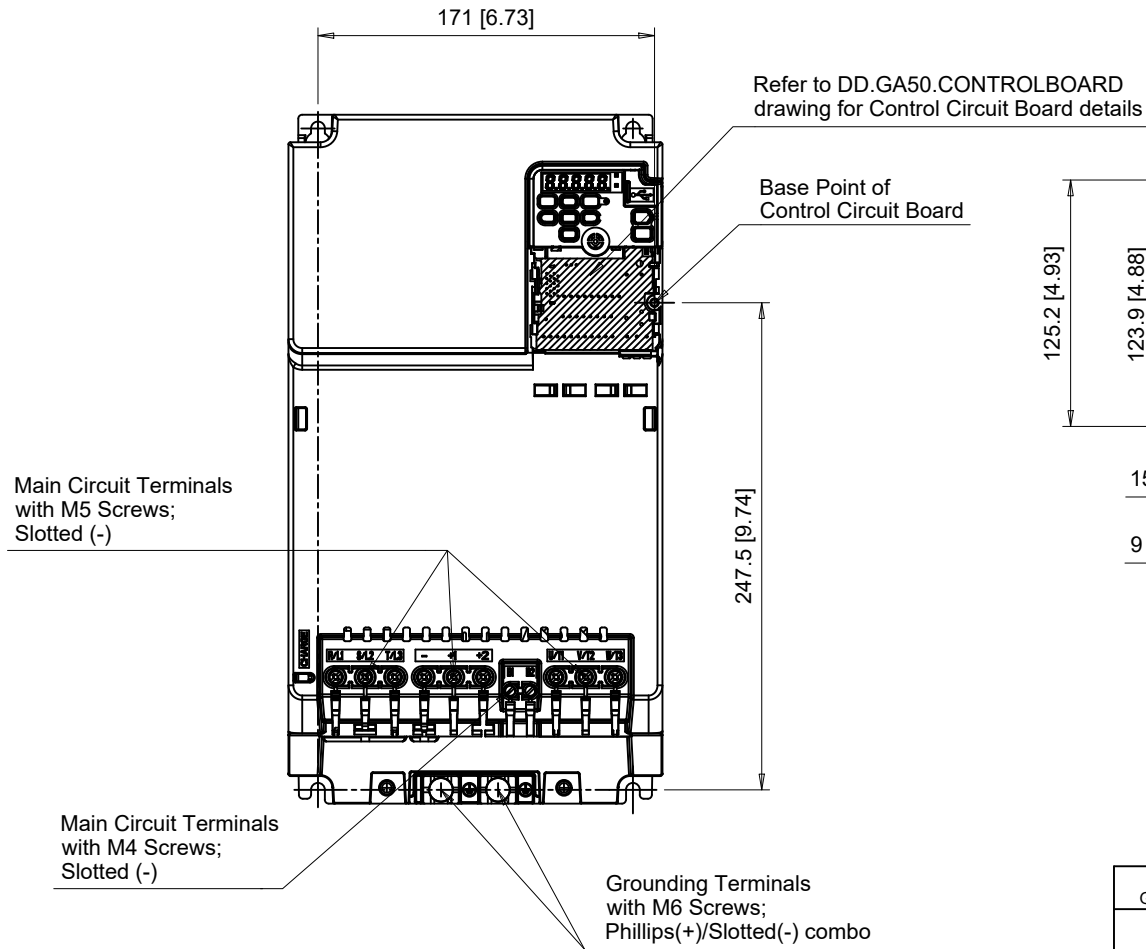
TITLE
GA500 DIMENSION DRAWING
FRAME SIZE 8
IP20 ENCLOSURE

SIZE A
PAGE 1 OF 3
DWG.NO.
DD.GA50.FR8.IP20

REV
0

FRONT VIEW

BOTTOM VIEW

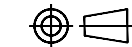


C/C: GA50□	TERMINAL SYMBOL	WIRE RANGE AWG (mm ²)	TERMINAL SCREW	CLAMPING TORQUE N.m. (lb.in.)
4044□□□	R/L1, S/L2, T/L3	8 - 2 (10 - 35)	M5	4.5 (40)
	U/T1, V/T2, W/T3	8 - 2 (10 - 35)	M5	4.5 (40)
4060□□□	-, +1, +2	8 - 2 (10 - 35)	M5	4.5 (40)
	B1, B2	14 - 6 (2.5 - 16)	M4	1.7 (15)
	⊕	10 - 6 (6 - 16)	M6	5.4 - 6.0 (48 - 53)

□ Denotes A-Z

Note: Refer to applicable codes and standards for proper wire type and size.

YASKAWA



UNITS MM [IN]

SCALE 1:4

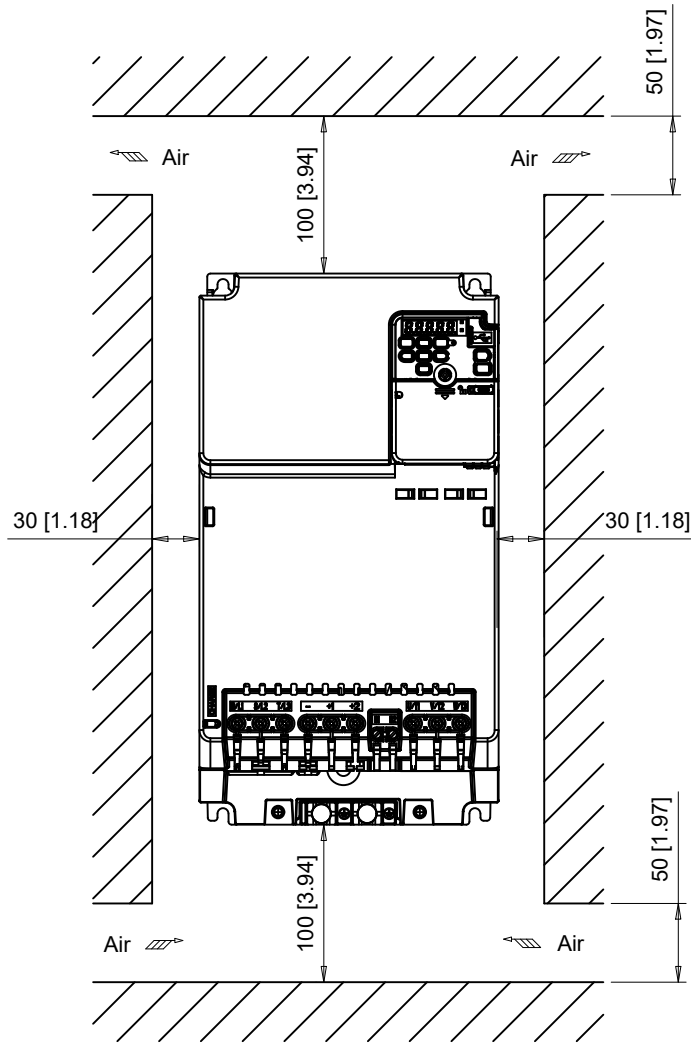
DRWN.	J. MATTAS	6-6-19
CHKD.	J. PIOTROWSKI	7-30-19
TECH.	L. UDDIN	8-7-19
APRV.	J. CAIRO	9-11-19

TITLE
GA500 DIMENSION DRAWING
FRAME SIZE 8
IP20 ENCLOSURE

SIZE A PAGE 2 OF 3
DWG.NO.
DD.GA50.FR8.IP20

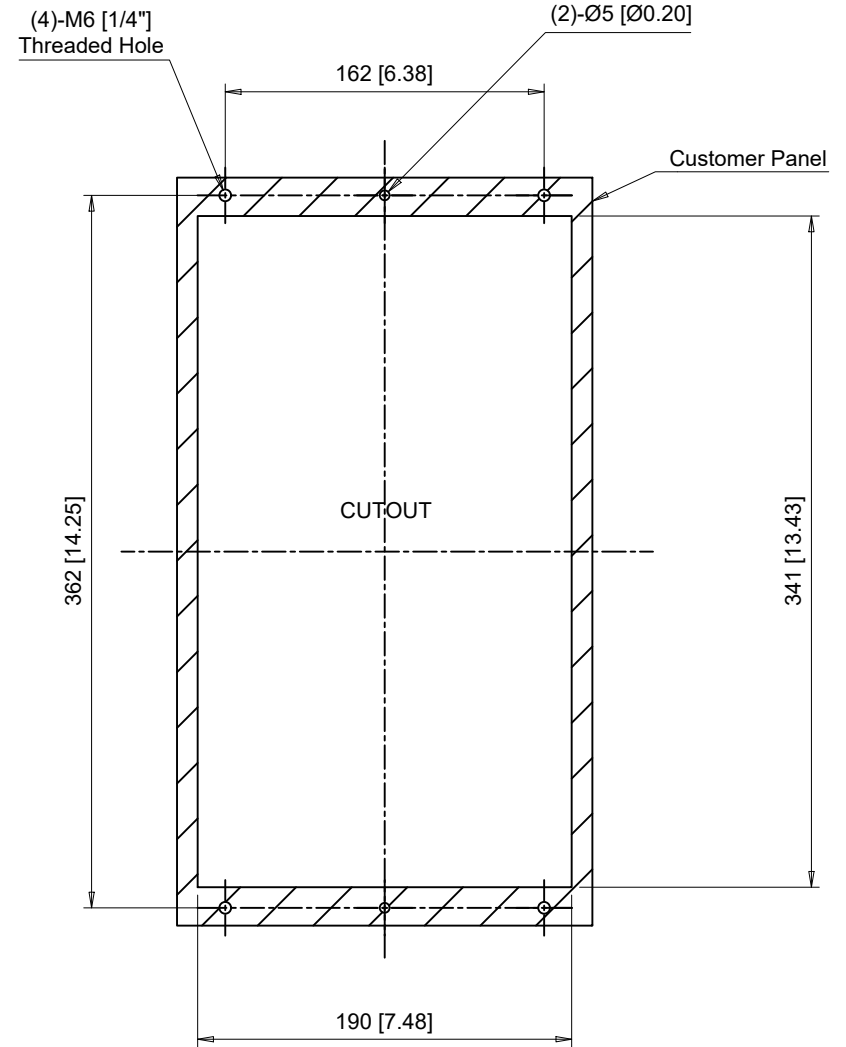
REV
0

Minimum Installation Clearances
Scale 1:5



Note:
For alternate mounting configurations, consult manual.

Panel Cutout
For External Heatsink Mounting Configuration
Scale 1:4



Notes:
Exposed heatsink minimum clearance = 99 [3.90].
Refer to external heatsink instructions document for additional details.

YASKAWA

UNITS MM [IN]
SCALE ABOVE

DRWN.	J. MATTAS	6-6-19
CHKD.	J. PIOTROWSKI	7-30-19
TECH.	L. UDDIN	8-7-19
APRV.	J. CAIRO	9-11-19

TITLE
GA500 DIMENSION DRAWING
FRAME SIZE 8
IP20 ENCLOSURE

SIZE A
PAGE 3 OF 3
DWG.NO.
DD.GA50.FR8.IP20

REV
0