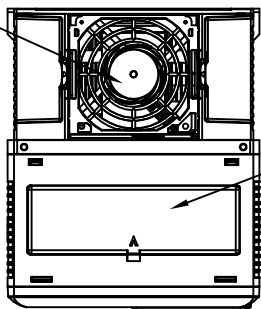


EXTERNAL COOLING FAN



TOP PROTECTIVE COVER

NOTE:
PROTECTIVE COVERS ARE FACTORY INSTALLED TO THE TOP AND BOTTOM OF THE DRIVE TO MEET IP20 & NEMA TYPE 1 REQUIREMENTS, RESULTING IN AN AMBIENT TEMPERATURE RATING OF 104F(40C). REMOVE THESE COVERS WHEN OPERATING THE DRIVE WITHIN A PANEL TO OBTAIN THE MAXIMUM SURROUNDING AIR TEMPERATURE RATING OF 122F(50C). REMOVING THESE COVERS RESULTS IN AN ENCLOSURE RATING OF IP00.

2.96 [75.3] 5.14 [130.5] 2.36 [60] 0.28 [7]

3.54 [90] DIGITAL OPERATOR

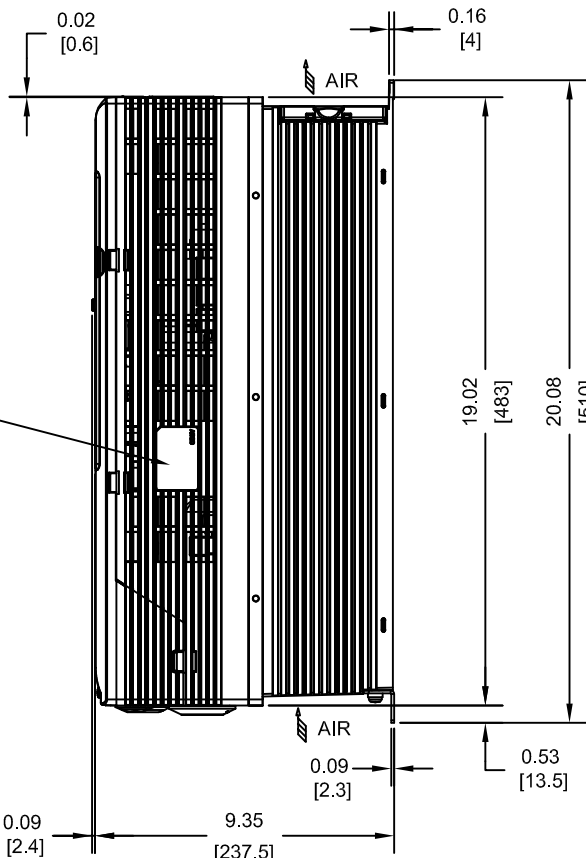
19.53 [496] VERTICAL MTD DIM

NAMEPLATE

(4)-MOUNTING HOLES FOR 1/4" [M6] SCREWS

FRONT VIEW

0.59 [15] 6.69 [170] HORIZONTAL MTD DIM 0.59 [15] 0.28 [7]



0.16 [4] 19.02 [483] 20.08 [510]

0.09 [2.3] 0.53 [13.5]

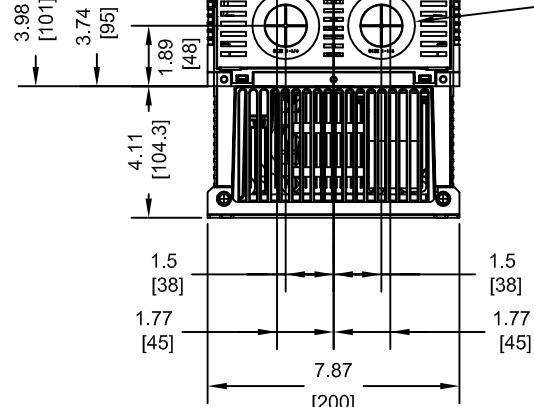
0.09 [2.4] 9.35 [237.5]

BOTTOM PROTECTIVE COVER

Ø1.38 [35] HOLE WITH RUBBER BUSHING

(2) - Ø0.87 [22] HOLE WITH RUBBER BUSHING

(2) - Ø1.73 [44] HOLE WITH RUBBER BUSHING



3.98 [101] 3.74 [95] 1.89 [48]

4.11 [104.3]

1.5 [38] 1.5 [38] 1.77 [45] 1.77 [45] 7.87 [200]

MODEL # CIMR-ZU	VOLTAGE THREE-PHASE (VAC)	OUTPUT CURRENT (A)	WEIGHT LBS (Kg)	HEAT LOSS (W) (Fc=5kHz)		
				INT	EXT	TOT
2A0046FXX	200/240	46.2	26 (12)	86	396	482
2A0059FXX		59.4	29 (13)	116	542	658
4A0034FXX	380/480	34.0	29 (13)	105	457	562
4A0040FXX		40.0	29 (13)	118	558	676
4A0052FXX		52.0	33 (15)	151	584	735

NOTE:
X DENOTES A-Z

INT=INTERNAL COMPONENTS
EXT=EXTERNAL HEATSINK
TOT=TOTAL

FOR ADDITIONAL DETAILS AND SPECIFICATIONS, CONSULT MANUAL

TOLERANCES / REFERENCES:

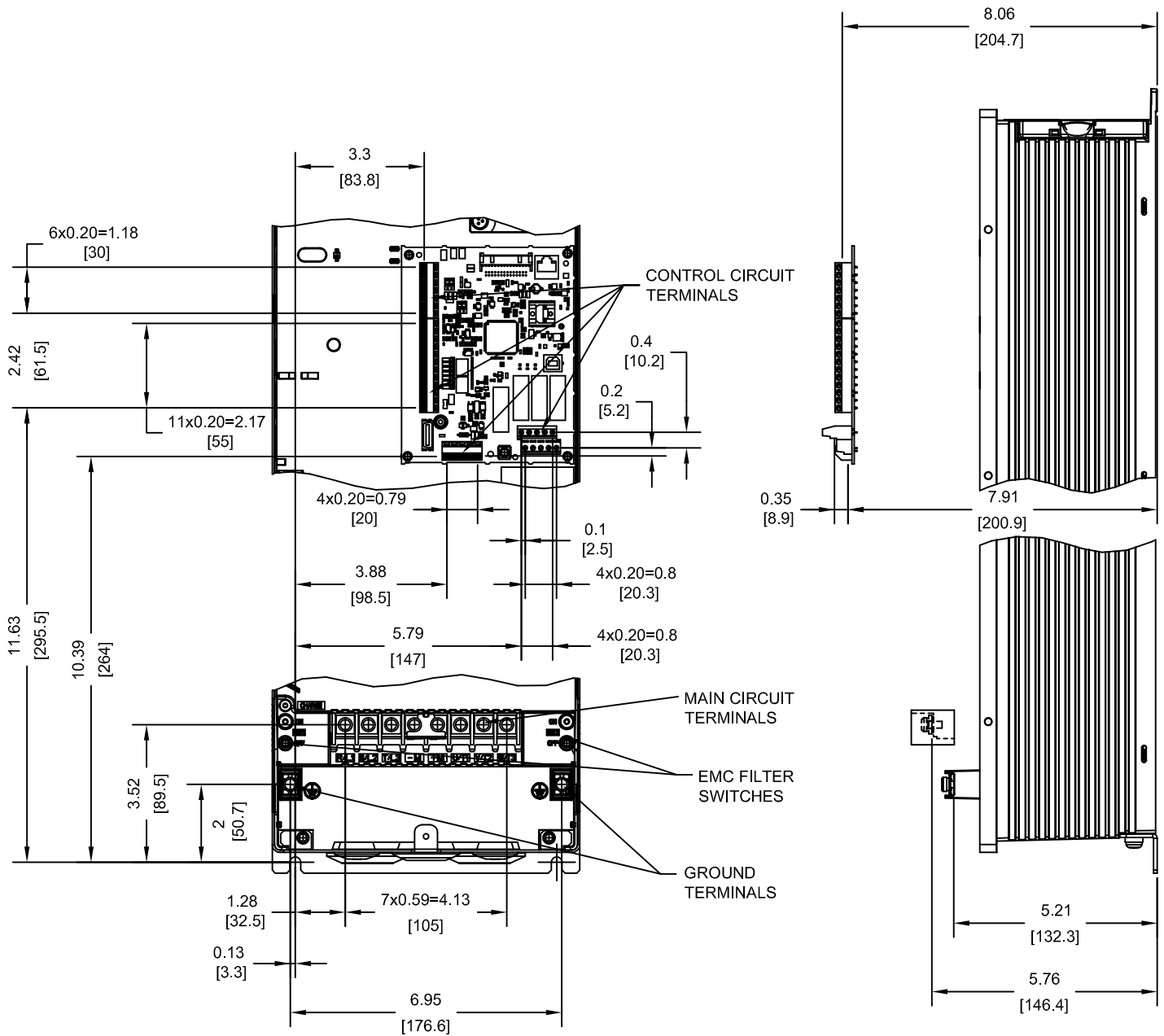


THIS DOCUMENT AND INFORMATION CONTAINED IN IT ARE CONFIDENTIAL, AND CANNOT BE COPIED OR DISCLOSED IN WHOLE OR IN PART WITHOUT THE EXPRESS WRITTEN CONSENT OF YASKAWA AMERICA, INC.

DRAWN: J. MATTAS	DATE 8-23-11	TITLE: Z1000 DIMENSION DRAWING
CHECKED: J. PIOTROWSKI	DATE 10-21-11	FRAME SIZE 3
TECH: J. BORJA	DATE 9-22-11	NEMA TYPE 1 ENCLOSURE
APPROVED: J. CAIRO	DATE 10-17-11	2A0046 - 0059, 4A0034 - 0052
ORIGINAL DESIGN: -	DATE -	SIZE: A REVISION: R01 PAGE: 1 of 3
		DRAWING #: DD.Z1K.FR3.N1

UNITS: IN [mm] SCALE: 1:6

TERMINAL AND WIRING DETAILS (SCALE 1:4)



TERMINAL AND WIRE SPECIFICATIONS FOR MAIN CIRCUIT AND GROUND

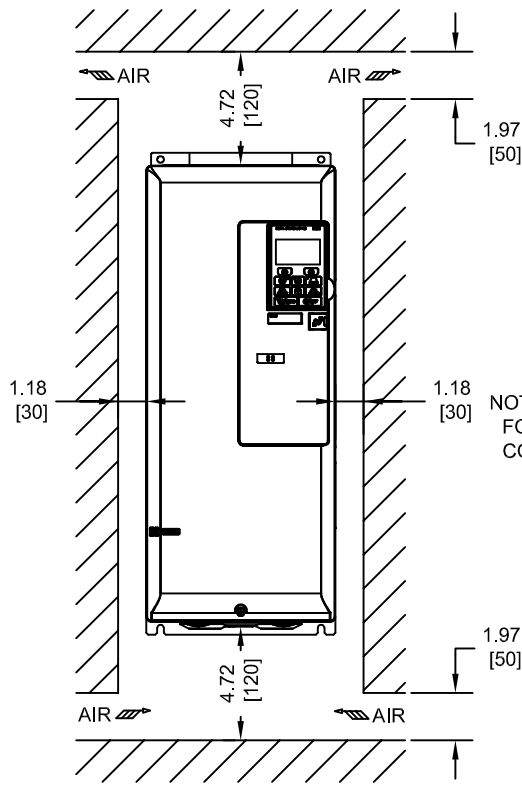
MODEL # CIMR-ZU	TERMINAL SYMBOL	TERMINAL SCREW	CLAMPING TORQUE lb.in.(N.m.)	WIRE RANGE AWG(mm ²)
2A0046 2A0059 4A0034 4A0040 4A0052	R/L1, S/L2, T/L3, U/T1, V/T2, W/T3, -M, +M, ⊕	M5	24 TO 27 (2.7 TO 3.0)	10-4 (6.0-25)

NOTE: REFER TO APPLICABLE CODES FOR PROPER WIRE TYPE AND SIZE

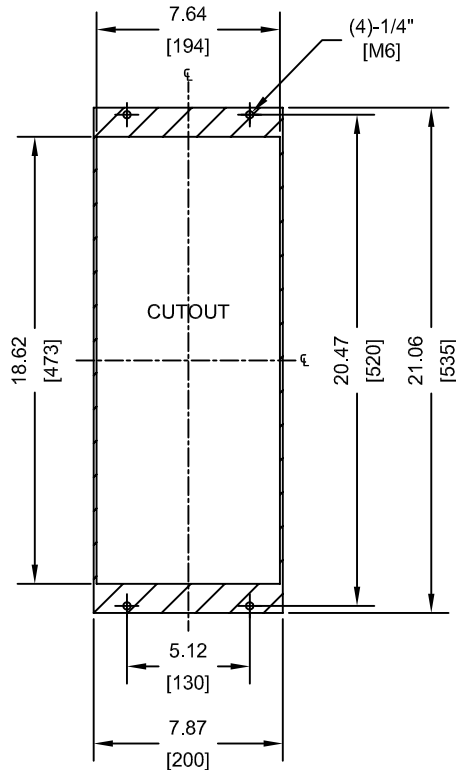
FOR ADDITIONAL DETAILS AND SPECIFICATIONS, CONSULT MANUAL

TOLERANCES / REFERENCES:	<p>THIS DOCUMENT AND INFORMATION CONTAINED IN IT ARE CONFIDENTIAL, AND CANNOT BE COPIED OR DISCLOSED IN WHOLE OR IN PART WITHOUT THE EXPRESS WRITTEN CONSENT OF YASKAWA AMERICA, INC.</p>	DRAWN: J. MATTAS DATE: 8-23-11	TITLE: Z1000 DIMENSION DRAWING FRAME SIZE 3 NEMA TYPE 1 ENCLOSURE 2A0046 - 0059, 4A0034 - 0052			
		CHECKED: J. PIOTROWSKI DATE: 10-21-11	TECH: J. BORJA DATE: 9-22-11	APPROVED: J. CAIRO DATE: 10-17-11	SIZE: A	REVISION: R01
UNITS: IN [mm]	SCALE: BY VIEW	ORIGINAL DESIGN: -	DATE: -	DRAWING #: DD.Z1K.FR3.N1		

MINIMUM INSTALLATION CLEARANCES (SCALE 1:8)



PANEL CUTOUT FOR EXTERNAL HEATSINK MOUNTING CONFIGURATION (SCALE 1:8)



NOTES:

1. EXTERNAL HEATSINK CONFIGURATION REQUIRES MOUNTING KIT
2. CUTOUT TOLERANCES: +/- 0.02IN (0.5MM)
3. EXPOSED HEATSINK DEPTH D=4.11" MINUS PANEL THICKNESS

FOR ADDITIONAL DETAILS AND SPECIFICATIONS, CONSULT MANUAL

TOLERANCES / REFERENCES:			DRAWN: J. MATTAS 8-23-11	TITLE: Z1000 DIMENSION DRAWING		
			CHECKED: J. PIOTROWSKI 10-21-11	FRAME SIZE 3 NEMA TYPE 1 ENCLOSURE 2A0046 - 0059, 4A0034 - 0052		
		THIS DOCUMENT AND INFORMATION CONTAINED IN IT ARE CONFIDENTIAL, AND CANNOT BE COPIED OR DISCLOSED IN WHOLE OR IN PART WITHOUT THE EXPRESS WRITTEN CONSENT OF YASKAWA AMERICA, INC.	TECH: J. BORJA 9-22-11	DATE: 9-22-11	SIZE: A	REVISION: R01
UNITS: IN [mm]	SCALE: BY VIEW		APPROVED: J. CAIRO 10-17-11	DATE: 10-17-11	ORIGINAL DESIGN: -	DATE: -
			DRAWING #: DD.Z1K.FR3.N1			