

BALDOR® • RELIANCE 

Product Information Packet

EM4316T-G

75HP, 1780RPM, 3PH, 60HZ, 365T, A36070M, TEFC

Part Detail							
Revision:	C	Status:	PRD/A	Change #:		Proprietary:	No
Type:	AC	Elec. Spec:	A36WG4076	CD Diagram:	416820-002	Mfg Plant:	
Mech. Spec:		Layout:	617428-021	Poles:	04	Created Date:	04-22-2020
Base:		Eff. Date:	04-09-2021	Leads:	3#4,6#6		

Specs			
Catalog Number:	EM4316T-G	Feedback Device:	NO FEEDBACK
Enclosure:	TEFC	Heater Indicator:	No Heater
Frame:	365T	Insulation Class:	H
Frame Material:	Iron	Inverter Code:	Inverter Ready
Output @ Frequency:	60.000 HP @ 50 HZ	KVA Code:	G
	75.000 HP @ 60 HZ	Lifting Lugs:	Standard Lifting Lugs
Synchronous Speed @ Frequency:	1500 RPM @ 50 HZ	Motor Lead Quantity/Wire Size:	3 @ 4 AWG
Voltage @ Frequency:	190.0 V @ 50 HZ	Motor Type:	A3670M
	230.0 V @ 60 HZ	Mounting Arrangement:	F1
	380.0 V @ 50 HZ	Power Factor:	86
	460.0 V @ 60 HZ	Product Family:	General Industrial
XP Class and Group:	None	Pulley End Bearing Type:	Ball
XP Division:	Not Applicable	Pulley Face Code:	Standard
Agency Approvals:	UR	Shaft Ground Indicator:	Shaft Grounding
Auxillary Box:	No Auxillary Box	Shaft Rotation:	Reversible
Base Indicator:	Rigid	Shaft Slinger Indicator:	No Slinger
Bearing Grease Type:	Polyrex EM (-20F +300F)	Speed Code:	Single Speed
Current @ Voltage:	187.000 A @ 208.0 V	Motor Standards:	NEMA

Design Code:	B	Starting Method:	Direct on line
Drip Cover:	No Drip Cover	Thermal Device - Bearing:	None
Duty Rating:	CONT	Thermal Device - Winding:	None

Nameplate NP3979LUA													
CAT # EM4316T-G				SER				CC 010A					
SPEC A36-0001-4076				RATING 40C AMB-CONT									
HZ	VOLTS		AMPS		RPM	HP	CODE	SF	DES	PF	NEMA NOM. EFF		
60	230/460		172/86		1780	75	G	1.15	B	86	%	95.4	%
	-										%		%
PH 3	CL H	MAX CORR KVAR 15.8			USABLE AT 208V 188				A				
BRG	DE 6313	ODE 6313	ENCL TEFC		FR 365T				IP54				
GREASE POLYREX EM				MTR WT 908				LBS					
USABLE AT 50HZ 60HP 190/380V 168/84A				SF1.0									
INVERTER DUTY		CT 15-60	HZ 4:1	VT 3-60	HZ 20:1	CHP 60-90			HZ 1.5:1	1.0 SF VPWM			
MAX RPM 2700													

Parts List		
Part Number	Description	Quantity
SA381801	SA A36-0001-4076	1.000 EA
RA371917	RA A36-0001-4076	1.000 EA
421948032	LABEL, MYLAR	1.000 EA
000613006PU	N/P (RELEASE QTY 10,000) UL CSA LABEL	1.000 EA
000692000VD	LABEL WARNING	1.000 EA
NP3979LUA	SS SUPER-E UR CSA-C-US-EEV NEMA PREM CC	1.000 EA
085922073B	BRKT 360 085922072WCC KB	1.000 EA
415072001B	CLAMP	1.000 EA
078559001A	+FANCV - 360	1.000 EA
034180012DA	KEY 1X4X1/4X1-1/2 L	1.000 EA
702676001C	FAN 360	1.000 EA
004824015A	GREASE POLYREX EM	0.540 LB
032018012DK	HHCS 1/2-13X1-1/2 PLTD. 032018012DR	4.000 EA
032018008AK	HHCS 1/4-20X1 PLATED	4.000 EA
032018024CK	HHCS 3/8-16X3 PLTD.	3.000 EA
415096002A	CPLG 1/8 HEX TYPE	1.000 EA
410700004F	WSHR	1.000 EA
035000001G	GREASE RELIEF FITTING, ALEMITE 317400	1.000 EA
034530052AB	P/NIP 1/8X6-1/2 GALV.	1.000 EA
034690001AB	1/8" NPT SQHDPLG	1.000 EA
034600001AA	BUSH 1/4TO1/8 BLACK	1.000 EA
034690001AB	1/8" NPT SQHDPLG	1.000 EA
034600001AA	BUSH 1/4TO1/8 BLACK	1.000 EA
085922073B	BRKT 360 085922072WCC KB	1.000 EA

Parts List (continued)		
Part Number	Description	Quantity
415045002E	SLGR	1.000 EA
032018012DK	HHCS 1/2-13X1-1/2 PLTD. 032018012DR	4.000 EA
032018024CK	HHCS 3/8-16X3 PLTD.	3.000 EA
035000001G	GREASE RELIEF FITTING, ALEMITE 317400	1.000 EA
077176000L	C/BOX, PAINTED 440	1.000 EA
BP5327	SHAFT GRD BRUSH (SGR-74.7-3CFHAT2)	1.000 EA
077176001A	CBOXC, PAINTED 360-400	1.000 EA
043292000AJ	GASK 320-400	1.000 EA
402731001A	GASK 360-440	1.000 EA
418150003A	GREASE FITTING CAP	1.000 EA
032018005AK	HHCS 1/4-20X5/8 PLATED	4.000 EA
032018008CK	HHCS 3/8-16X1L PLATED	4.000 EA
035000001A	ALFTG 1/8" 1610-BL	1.000 EA
415000103H	T/LUG #2AWG-4/0AWG	1.000 EA
406099000A	PLUG - FAN COVER 320-440	1.000 EA
035000001A	ALFTG 1/8" 1610-BL	1.000 EA
418150003A	GREASE FITTING CAP	1.000 EA
MG1025Y17	WILKOFASST, 789.701, SUPER E PEARL GOLD	1.000 GA
032018005DL	1/2-13 X 5/8 SILICON BRONZE HHCS	1.000 EA
033775004EA	DRSCR #6-1/4 304 S.S.	2.000 EA
034180034HA	KEY 5/8X5/8X4-1/4 L	1.000 EA
HW1000A32	5/16 FL WASHER WIDE, ID=.344, OD=1.125	3.000 EA
032509020C	CARRIAGE BOLT - 360	3.000 EA
14PA1000	PACKAGING 314 GROUP COMBINED PRINT	1.000 EA

AC induction motor performance data

Record #71910 - Typical performance - not guaranteed values

Winding	A36WG4076
Type	A3670M
Enclosure	TEFC

Nameplate data

Rated Output			75
Volts			230/460
Full Load Amps			172/86
R.P.M.			1780
Hz	60	Phase	3
KVA Code			G
S.F.			1.15
NEMA Nom. Eff.	95.4	Power Factor	86
Duty			CONT
S.F. Amps			

460 V, 60 Hz:

High Voltage Connection

Full Load Torque	220.4 LB-FT
Start Configuration	direct on line
Breakdown Torque	618 LB-FT
Pull-up Torque	341 LB-FT
Locked-rotor Torque	434 LB-FT
Starting Current	545 A
No-load Current	27.5
Line-line Res. @ 25°C	0.081965 Ω
Temp. Rise @ Rated Load	60°C
Temp. Rise @ S.F. Load	75°C
Locked-rotor Power Factor	31.8
Rotor inertia	0

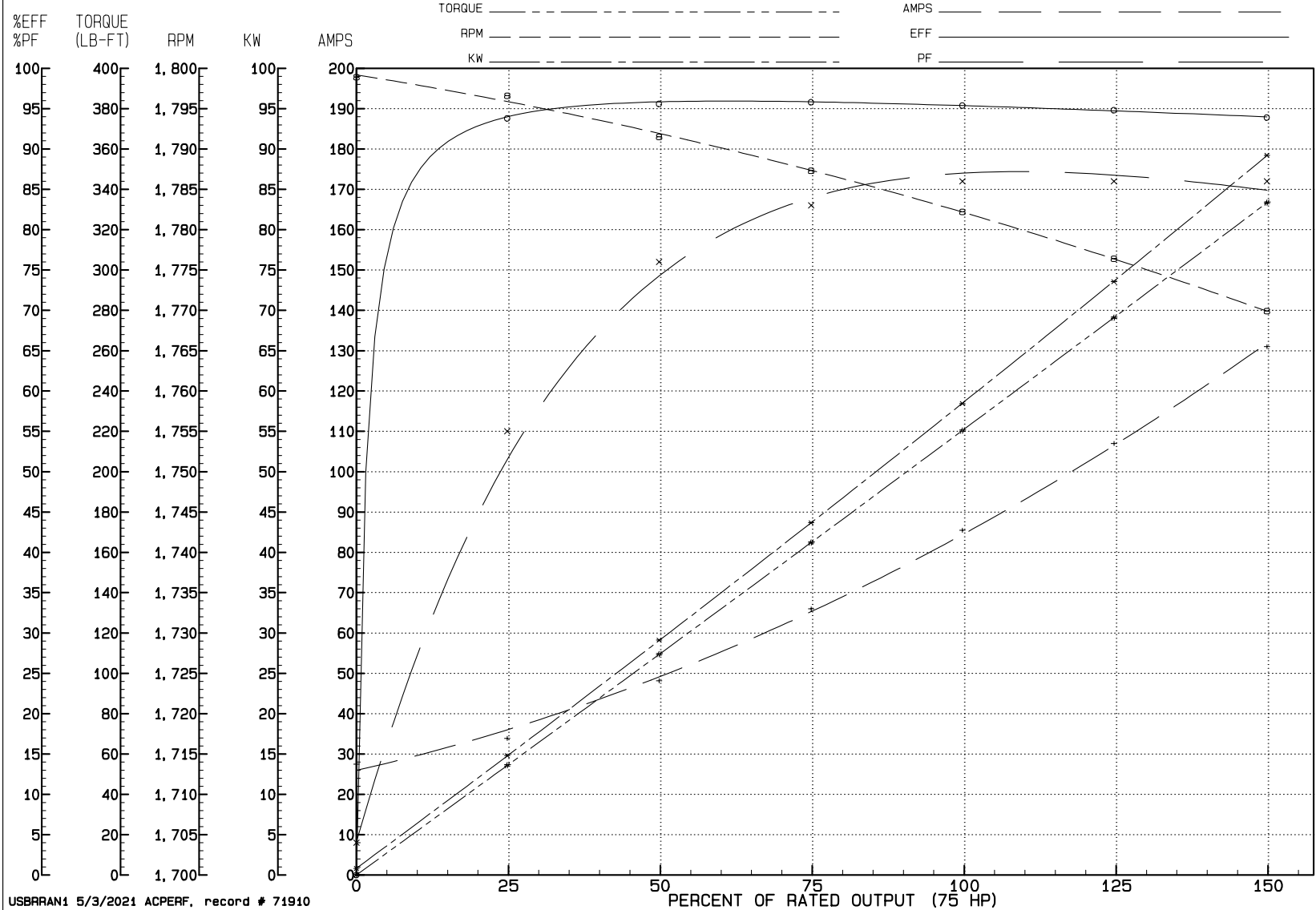
Load Characteristics 460 V, 60 Hz, 75 HP

% of Rated Load	NL	25	50	75	100	125	150	SF
Power Factor	4	55	76	83	86	86	86	86
Efficiency	0	93.8	95.6	95.8	95.4	94.8	93.9	95
Speed	1798.9	1796.6	1791.5	1787.3	1782.2	1776.4	1769.9	1779
Line amperes	27.5	33.9	48.2	66	85.5	107	131	98.4

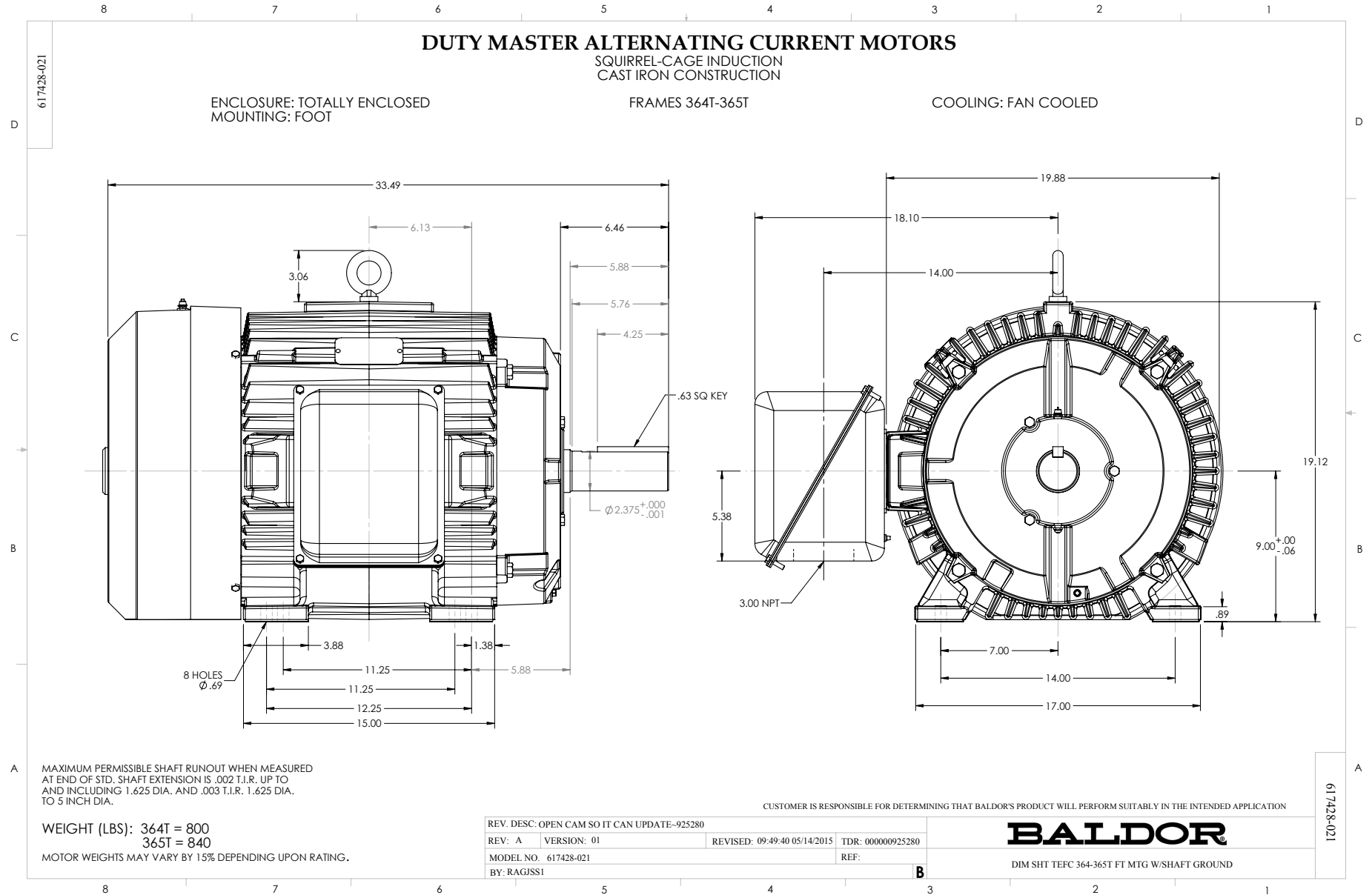
REVIEW

WINDING # A36WG4076

75 HP 3 PH 60 HZ 1780 RPM 460 V A3670M
 TORQUES (LB-FT): P0=618.00 PU=341.00 LR=434.00 LRA=545.00

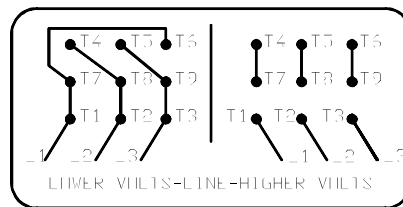
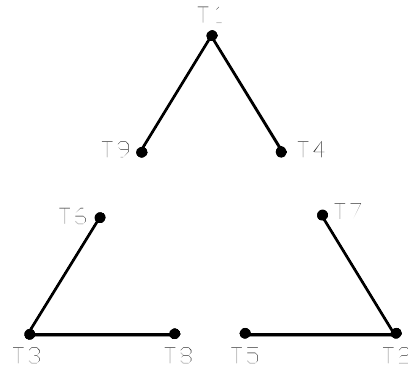


USBRRAN1 5/3/2021 ACPERF, record # 71910



416820-002

A-C MOTOR
 CONNECTION DIAGRAM
 STANDARD 9 LEAD DELTA-CONNECTED



(N.P. 1575-B)

416820-002

REV. DESC: FONT CHANGE FOR PDF SEARCHABLE		
REV. LTR: A	VERSION: 01	TDR: 000001009382
FILE: \MGA\00000\661	REVISED: 02:46:19 02/13/2020	BY: MGHMTT
MTL: -	⊙ □	

BALDOR - RELIANCE®

CONN DIAG - STANDARD 9 LEAD, DELTA-CONNECTED

SH 1 of 1

Marketing maintained PDF of MN408:

<http://www.baldor.com/support/Literature/Load.ashx/MN408?ManNumber=MN408>

Marketing maintained PDF of MN416:

<http://www.baldor.com/support/Literature/Load.ashx/MN416?ManNumber=MN416>