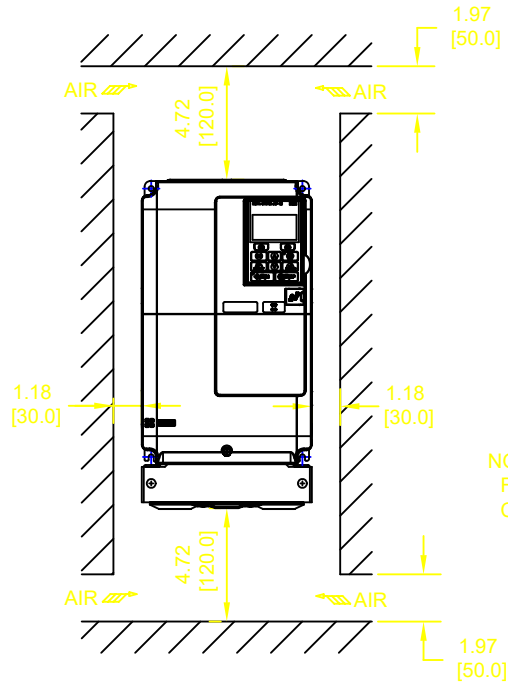
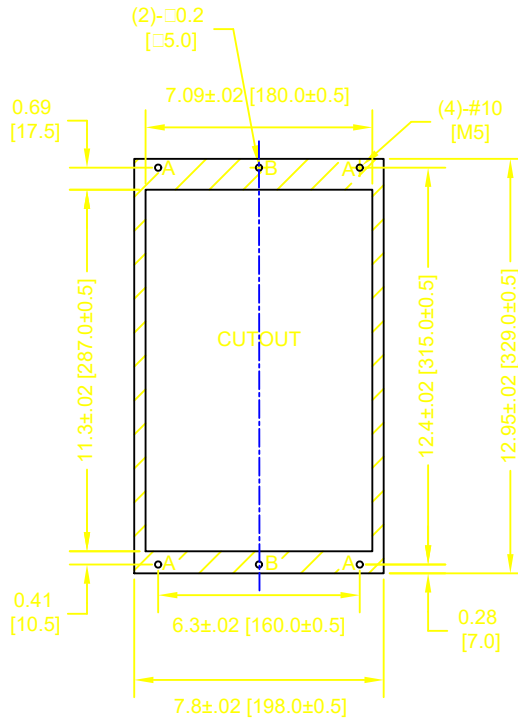


MINIMUM INSTALLATION CLEARANCES (SCALE 1:8)



NOTE:  
FOR SIDE-BY-SIDE MOUNTING  
CONSULT MANUAL

PANEL CUTOUT FOR EXTERNAL HEATSINK  
MOUNTING CONFIGURATION (SCALE 1:6)

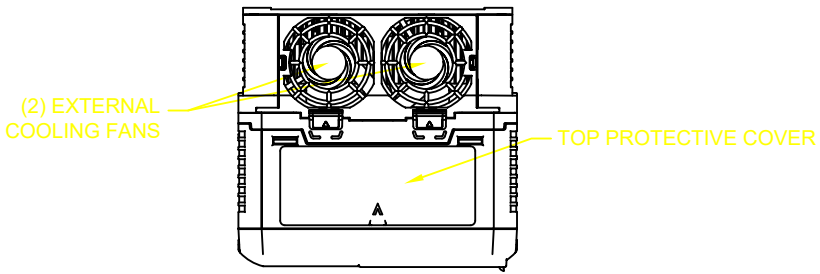


- NOTES:
- EXTERNAL HEATSINK CONFIGURATION REQUIRES MOUNTING KIT
  - EXPOSED HEATSINK RECOMMENDED CLEARANCE D=2.36" MINUS PANEL THICKNESS

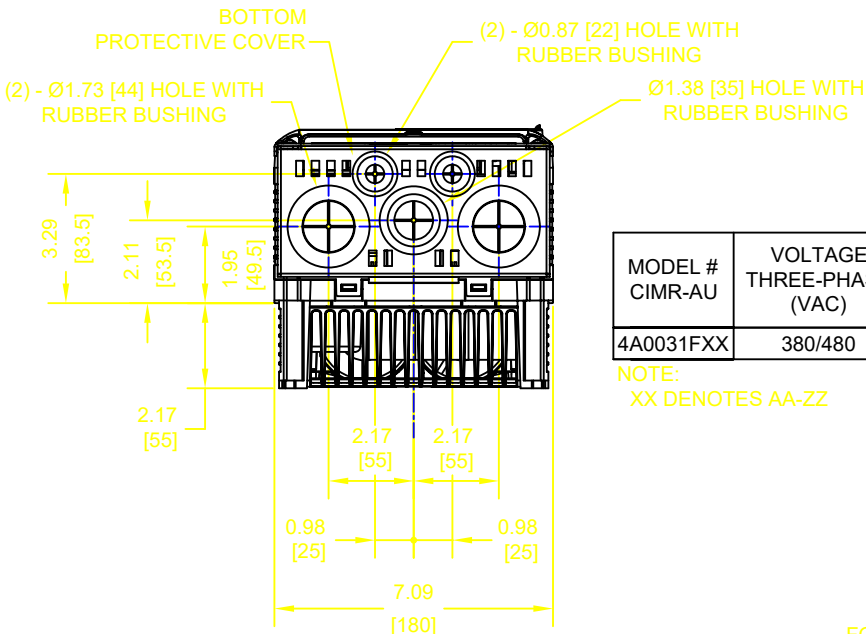
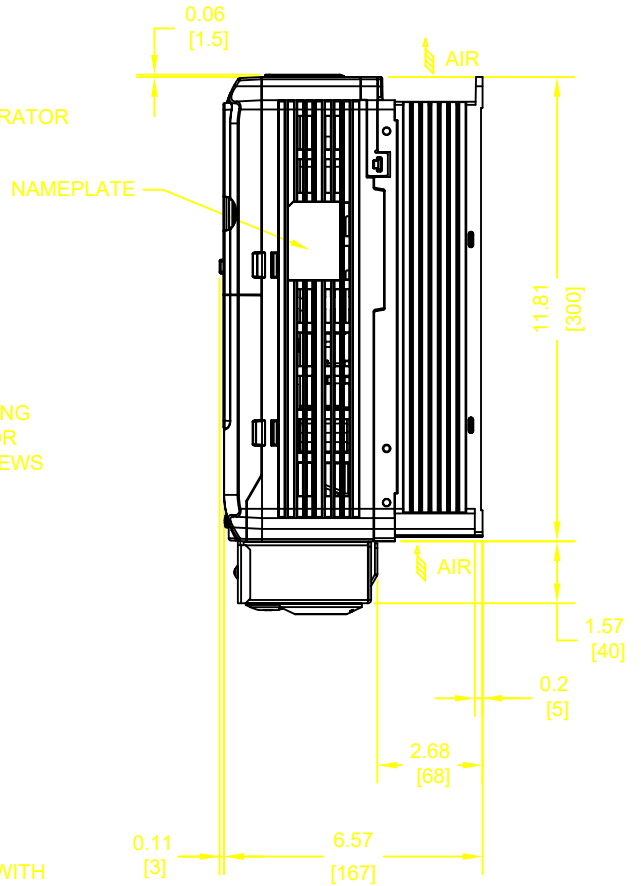
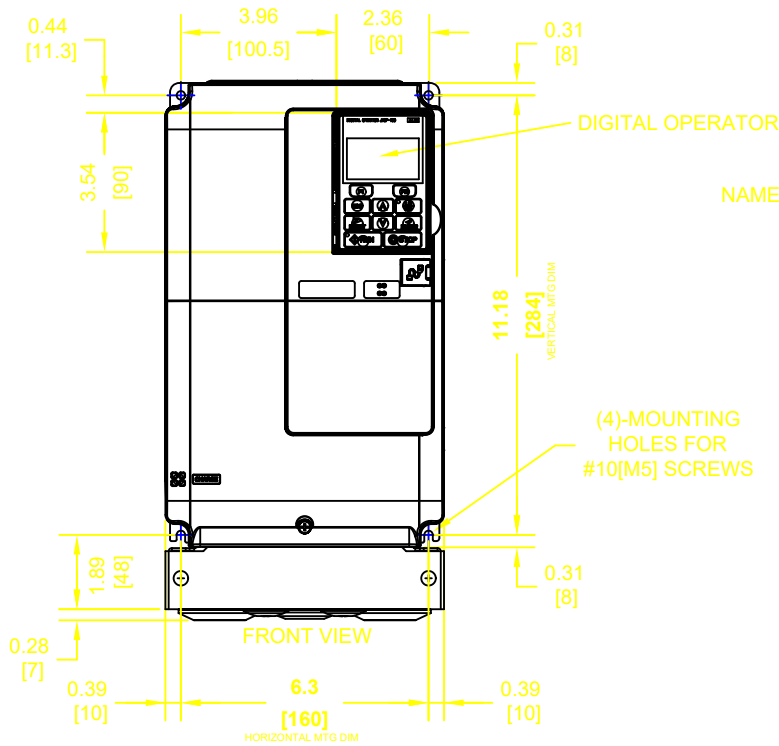
FOR ADDITIONAL DETAILS AND SPECIFICATIONS, CONSULT MANUAL

TOLERANCES / REFERENCES:			DRAWN: J. MATTAS DATE: 2-16-10	DATE: 2-16-10	TITLE: A1000 DIMENSION DRAWING		
			CHECKED: J. PIOTROWSKI DATE: 3-8-10	DATE: 3-8-10	FRAME SIZE 4 NEMA TYPE 1 ENCLOSURE 4A0031		
		TECH: J. CAIRO DATE: 3-8-10	DATE: 3-8-10	SIZE A	REVISION R00	PAGE 3 of 3	
		APPROVED: T. SASADA DATE: 3-8-10	DATE: 3-8-10	DRAWING #: DD A1K FR1 N1			
UNITS:	SCALE:	ORIGINAL DESIGN:					

THIS DOCUMENT AND INFORMATION CONTAINED  
IN IT ARE CONFIDENTIAL, AND CANNOT BE  
COPIED OR DISCLOSED IN WHOLE OR IN PART  
WITHOUT THE EXPRESS WRITTEN CONSENT



**NOTE:**  
 PROTECTIVE COVERS ARE FACTORY INSTALLED TO THE TOP AND BOTTOM OF THE DRIVE TO MEET IP20 & NEMA TYPE 1 REQUIREMENTS, RESULTING IN AN AMBIENT TEMPERATURE RATING OF 104F(40C). REMOVE THESE COVERS WHEN OPERATING THE DRIVE WITHIN A PANEL TO OBTAIN THE MAXIMUM SURROUNDING AIR TEMPERATURE RATING OF 122F(50C). REMOVING THESE COVERS RESULTS IN AN ENCLOSURE RATING OF IP00.



MODEL # CIMR-AU	VOLTAGE THREE-PHASE (VAC)	OUTPUT CURRENT (A)		WEIGHT LBS (Kg)	HEAT LOSS (W)					
		ND	HD		ND (Fc=2kHz)			HD (Fc=8kHz)		
					INT	EXT	TOT	INT	EXT	TOT
4A0031FXX	380/480	31.0	24.0	12.5 (5.7)	160.5	294.6	455.2	115.1	208.0	323.2

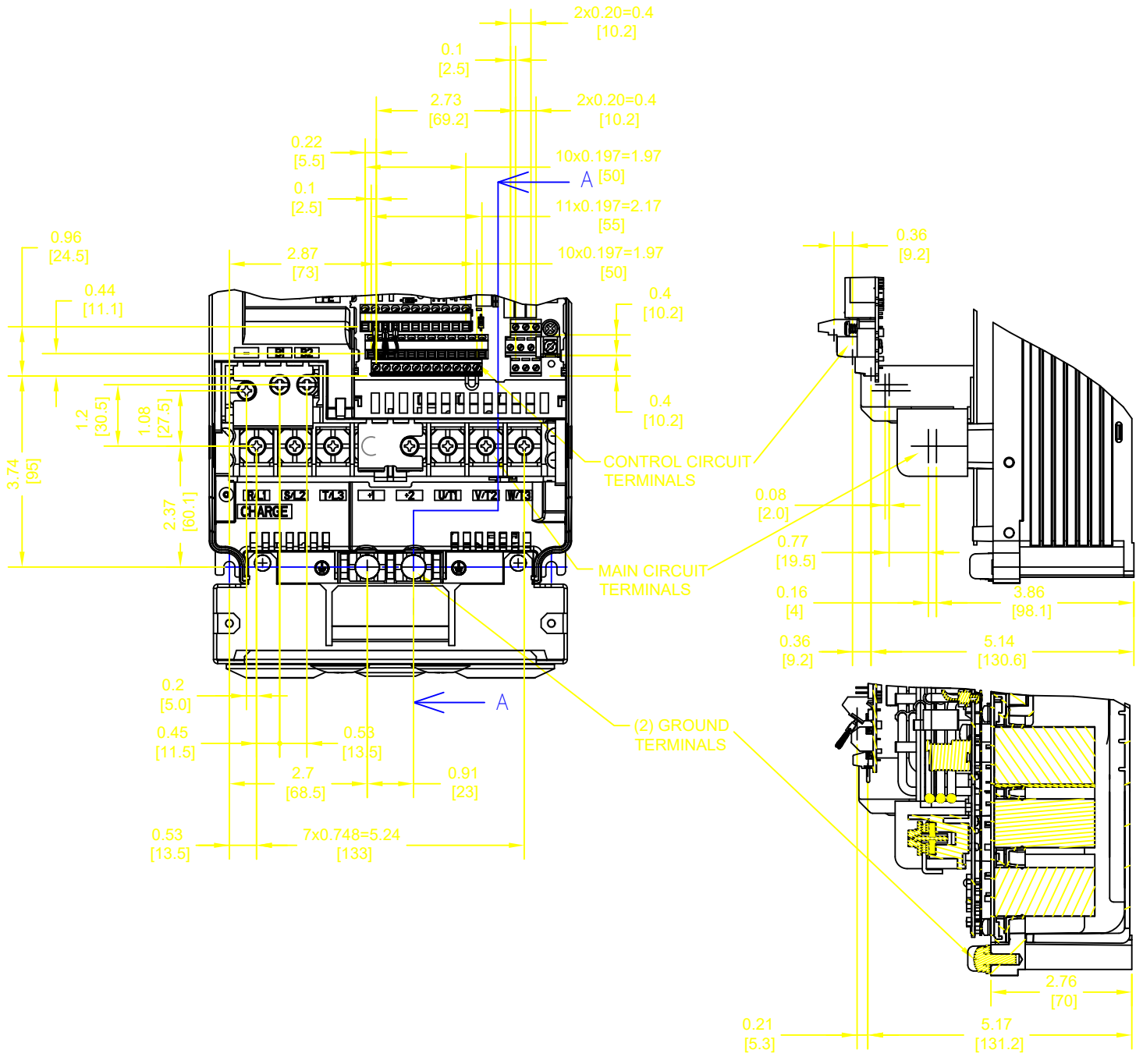
**NOTE:**  
 XX DENOTES AA-ZZ

INT=INTERNAL COMPONENTS  
 EXT=EXTERNAL HEATSINK  
 TOT=TOTAL

FOR ADDITIONAL DETAILS AND SPECIFICATIONS, CONSULT MANUAL

TOLERANCES / REFERENCES:		<p>THIS DOCUMENT AND INFORMATION CONTAINED IN IT ARE CONFIDENTIAL, AND CANNOT BE COPIED OR DISCLOSED IN WHOLE OR IN PART WITHOUT THE EXPRESS WRITTEN CONSENT OF YASKAWA AMERICA, INC.</p>	DRAWN: J. MATTAS	DATE: 2-16-10	TITLE: A1000 DIMENSION DRAWING FRAME SIZE 4 NEMA TYPE 1 ENCLOSURE 4A0031	
UNITS: IN[mm]			SCALE: 1:5	CHECKED: J. PIOTROWSKI		DATE: 3-8-10
			APPROVED: T. SASADA	DATE: 3-8-10		SIZE: A
			ORIGINAL DESIGN: -	DATE: -		REVISION: R00
					PAGE: 1 of 3	
DRAWING #: <b>DD.A1K.FR4.N1</b>						

TERMINAL AND WIRING DETAILS (SCALE 1:3)



TERMINAL AND WIRE SPECIFICATIONS FOR MAIN CIRCUIT AND GROUND

SECTION A-A

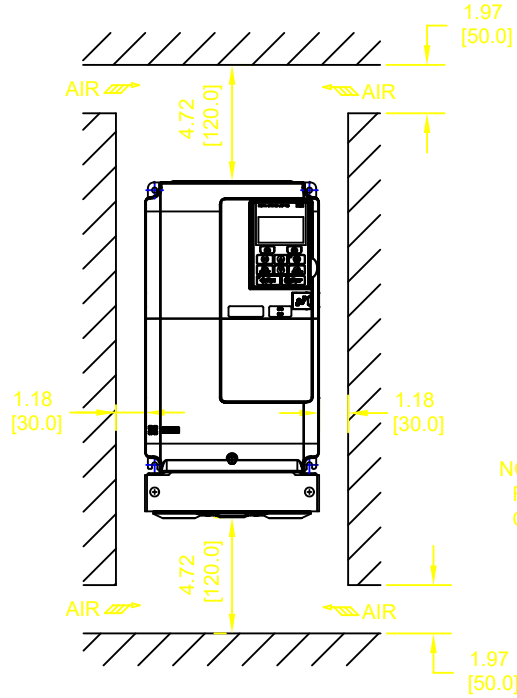
MODEL # CIMR-AU	TERMINAL SYMBOL	TERMINAL SCREW	CLAMPING TORQUE lb.in. (N.m.)	WIRE RANGE AWG(mm <sup>2</sup> )
4A0031	R/L1, S/L2, T/L3	M5	17.7 TO 22.1 (2 TO 2.5)	8-6 (10-16)
	U/T1, V/T2, W/T3			10-6 (6.0-16)
	⊖, ⊕1, ⊕2,			10-6 (6.0-16)
	B1, B2			10-8 (6.0-10)
	⊕	M6	35.4 TO 53.1 (4 TO 6)	10-8 (6.0-10)

NOTE: REFER TO APPLICABLE CODES FOR PROPER WIRE TYPE AND SIZE

FOR ADDITIONAL DETAILS AND SPECIFICATIONS, CONSULT MANUAL

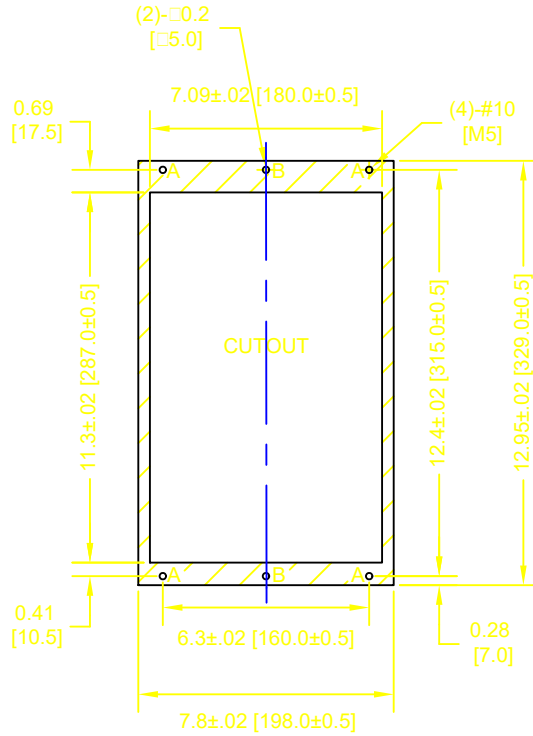
TOLERANCES / REFERENCES:		<p>THIS DOCUMENT AND INFORMATION CONTAINED IN IT ARE CONFIDENTIAL, AND CANNOT BE COPIED OR DISCLOSED IN WHOLE OR IN PART WITHOUT THE EXPRESS WRITTEN CONSENT OF YASKAWA AMERICA, INC.</p>	DRAWN: J. MATTAS DATE: 2-16-10	DATE: 2-16-10	TITLE: A1000 DIMENSION DRAWING FRAME SIZE 4 NEMA TYPE 1 ENCLOSURE 4A0031
UNITS: IN[mm]	SCALE: BY VIEW		CHECKED: J. PIOTROWSKI DATE: 3-8-10	DATE: 3-8-10	
		APPROVED: T. SASADA DATE: 3-8-10	DATE: 3-8-10	SIZE: A	REVISION: R00
		ORIGINAL DESIGN: -	DATE: -	PAGE: 2 of 3	DRAWING #: DD.A1K.FR4.N1

MINIMUM INSTALLATION CLEARANCES (SCALE 1:8)



NOTE:  
FOR SIDE-BY-SIDE MOUNTING  
CONSULT MANUAL

PANEL CUTOUT FOR EXTERNAL HEATSINK  
MOUNTING CONFIGURATION (SCALE 1:6)



NOTES:

- EXTERNAL HEATSINK CONFIGURATION REQUIRES MOUNTING KIT
- EXPOSED HEATSINK RECOMMENDED CLEARANCE D=2.36" MINUS PANEL THICKNESS

FOR ADDITIONAL DETAILS AND SPECIFICATIONS, CONSULT MANUAL

TOLERANCES / REFERENCES:		<p>THIS DOCUMENT AND INFORMATION CONTAINED IN IT ARE CONFIDENTIAL, AND CANNOT BE COPIED OR DISCLOSED IN WHOLE OR IN PART WITHOUT THE EXPRESS WRITTEN CONSENT OF YASKAWA AMERICA, INC.</p>	DRAWN: J. MATTAS	DATE: 2-16-10	TITLE: A1000 DIMENSION DRAWING FRAME SIZE 4 NEMA TYPE 1 ENCLOSURE 4A0031	
			CHECKED: J. PIOTROWSKI	DATE: 3-8-10		
			TECH: J. CAIRO	DATE: 3-8-10		
			APPROVED: T. SASADA	DATE: 3-8-10		
UNITS: IN[mm]	SCALE: BY VIEW	ORIGINAL DESIGN:	-	DATE:	-	DRAWING #: <b>DD.A1K.FR4.N1</b>
				SIZE: A	REVISION: R00	PAGE: 3 of 3